

SmartWorks MFP - Quick Start Guide (AIO)

P/N:5700T201
Rev:09



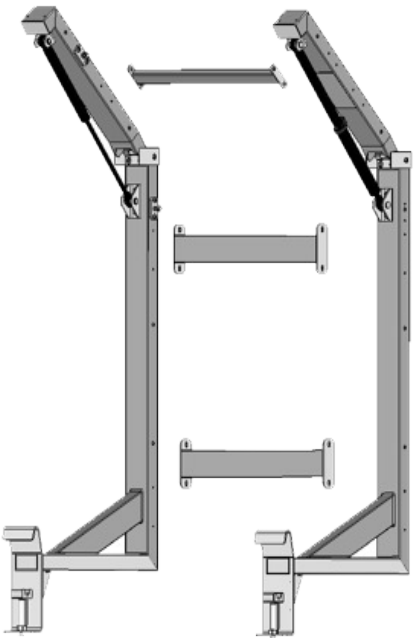
Detailed assembly and user instructions should be viewed on the USB stick (if included) or from the desktop folder.

It is recommended to turn on the AIO PC and connect to the internet to allow for Windows updates to start.

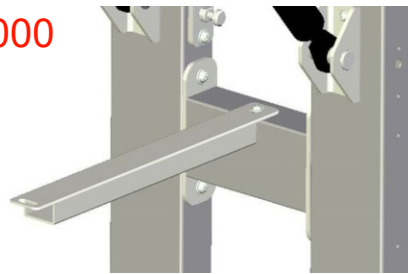


1

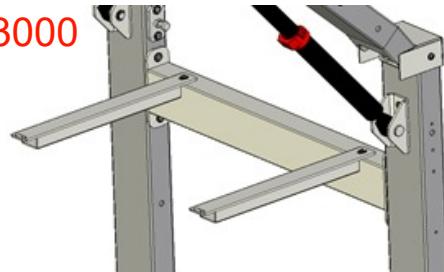
14 x
M4x8mm



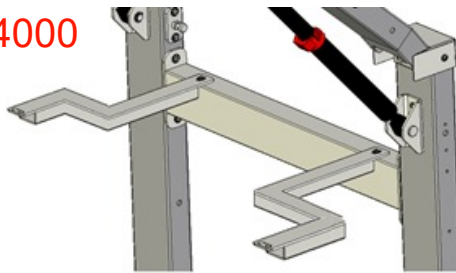
Tx-2000



Tx-3000



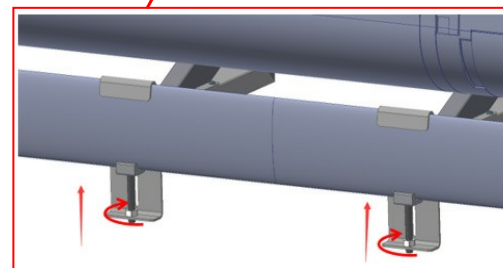
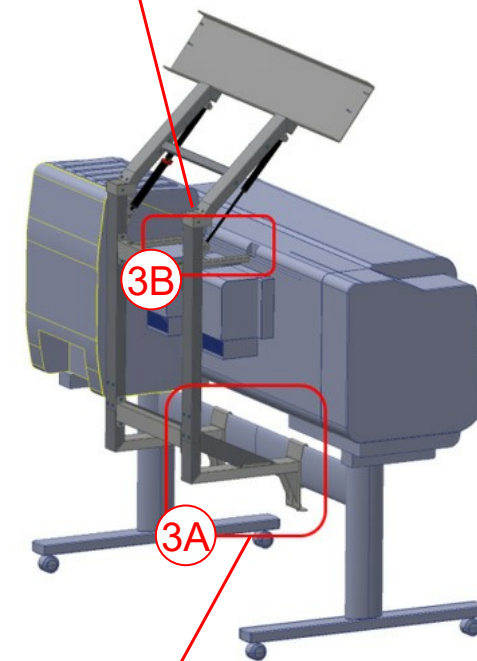
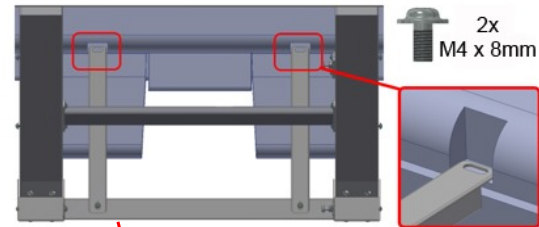
Tx-4000



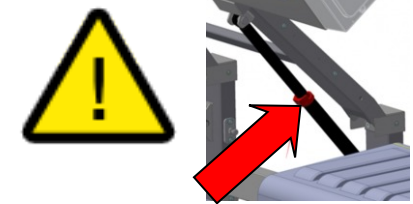
2



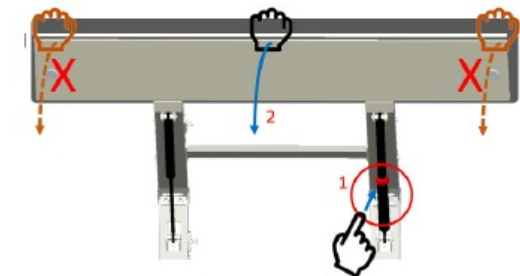
3



4



To lower the scanner, release the lock on the right-hand gas spring and press the stand down from the centre of the tray. Failure to do this may cause damage to the stand.



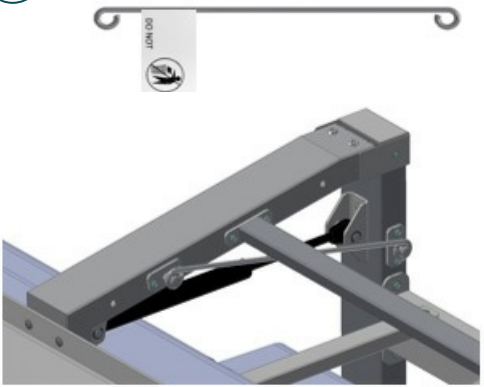
5



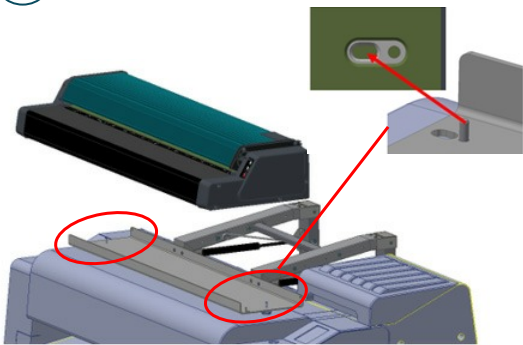
SmartWorks MFP - Quick Start Guide (AIO)

P/N:5700T201
Rev:09

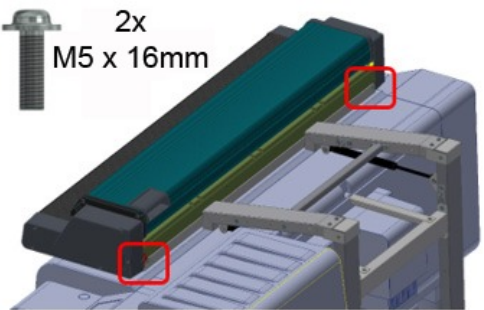
6



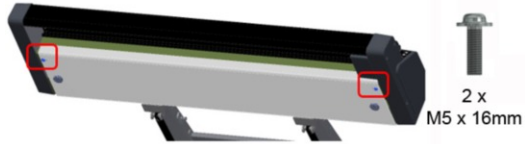
7



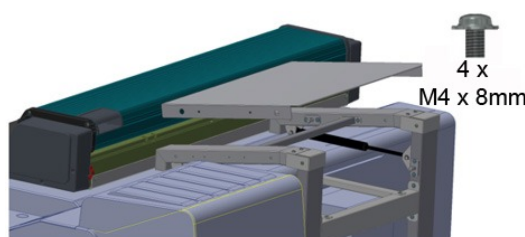
8



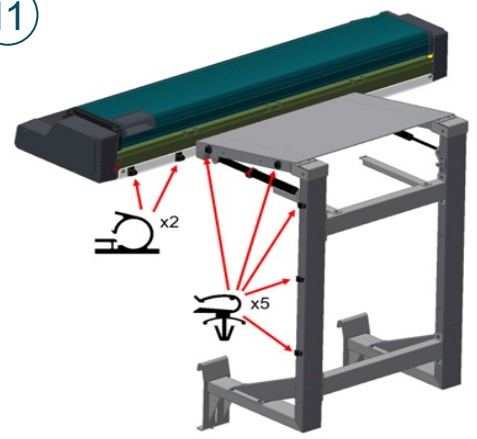
9



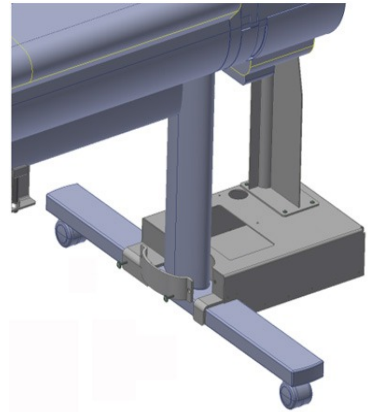
10



11



12



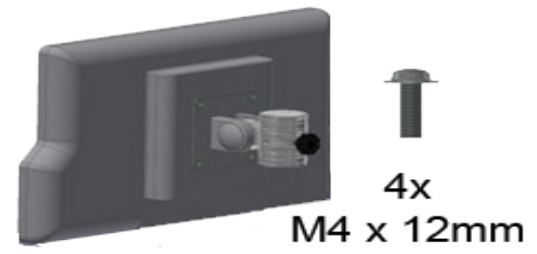
13



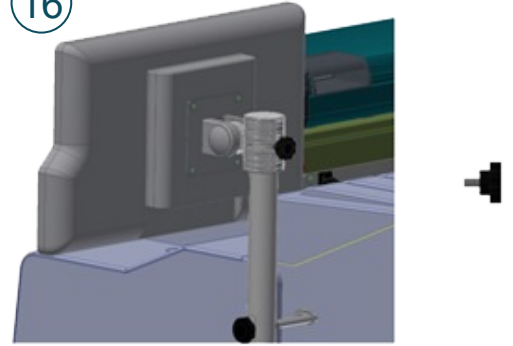
14



15



16



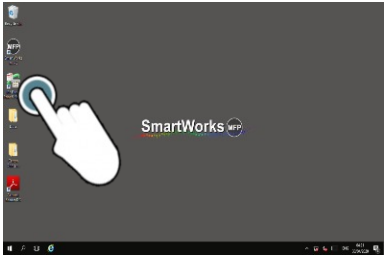
SmartWorks MFP - Quick Start Guide (AIO)

P/N:5700T201
Rev:09

17



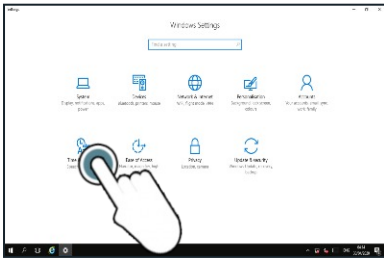
User instructions can be found on USB stick (if included) and the desktop documents folder.



18

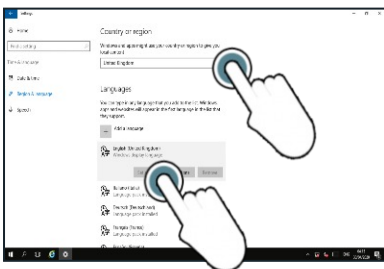
If your All-In-One is not pre-configured to English Windows please jump to step 22.

19



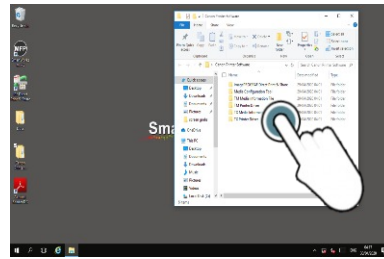
To set your region select "Settings" - "Time & Language".

20



Select the correct County and Region
Set the correct language as default.

21

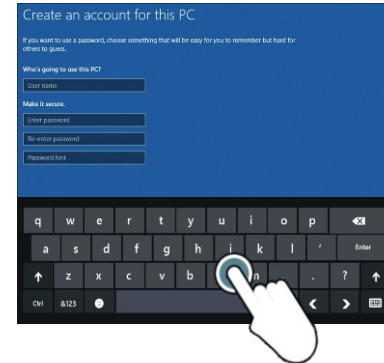


In the Canon Printer folder select And install the correct printer driver.

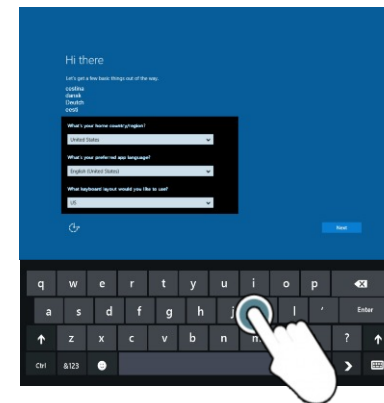
Please Note Pre-installed software:
ImagePROGRAF Direct Print & Share
Media Configuration Tool
MFP Software

Please jump to step 36

22



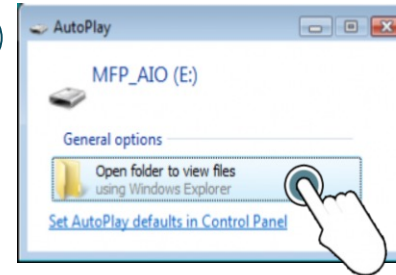
23



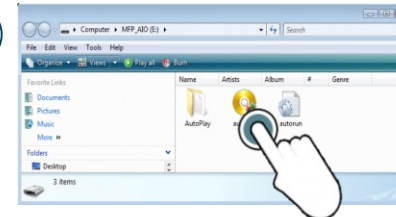
24



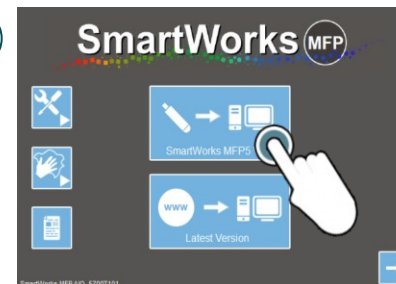
25



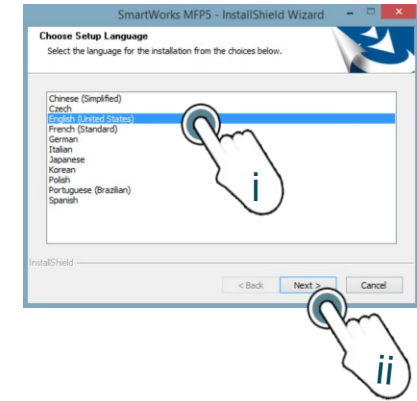
26



27



28



29



30



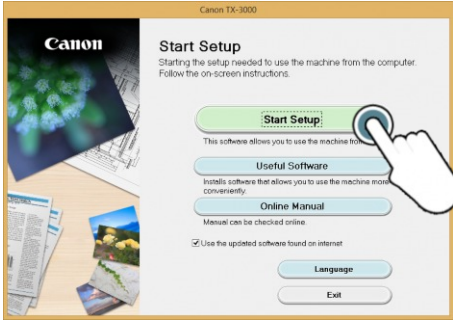
31

Please visit your local Canon website to download the latest software for your printer.

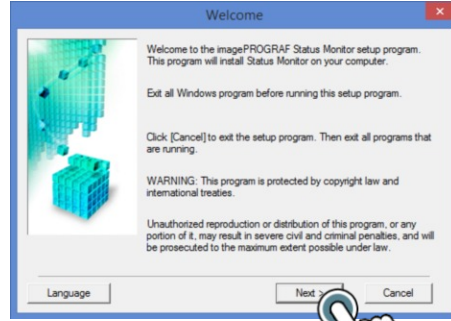
SmartWorks MFP - Quick Start Guide (AIO)

P/N:5700T201
Rev:09

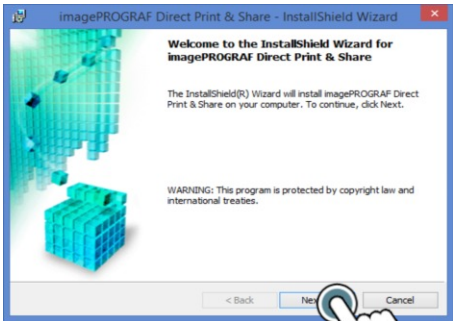
32



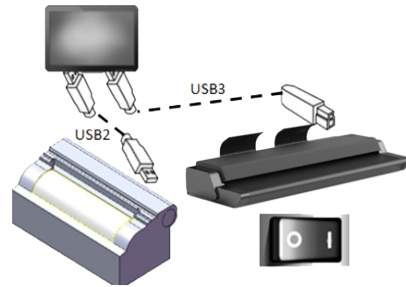
35



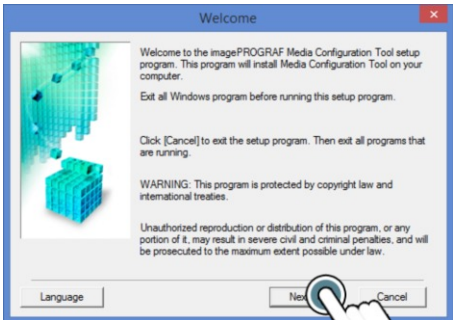
33



36



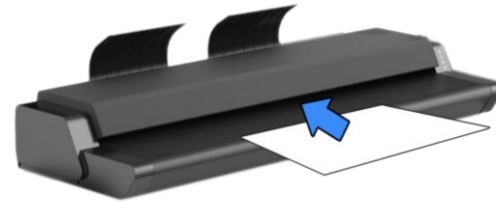
34



37



38



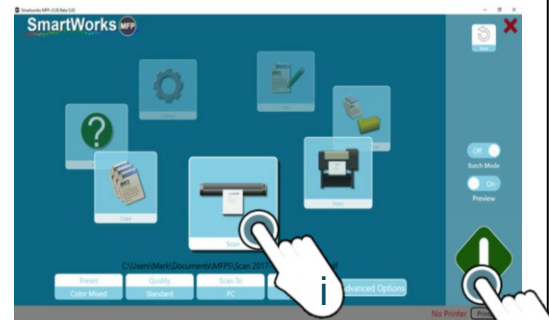
39

Copy



40

Scan



41

Copy/Scan with preview



42

Help

